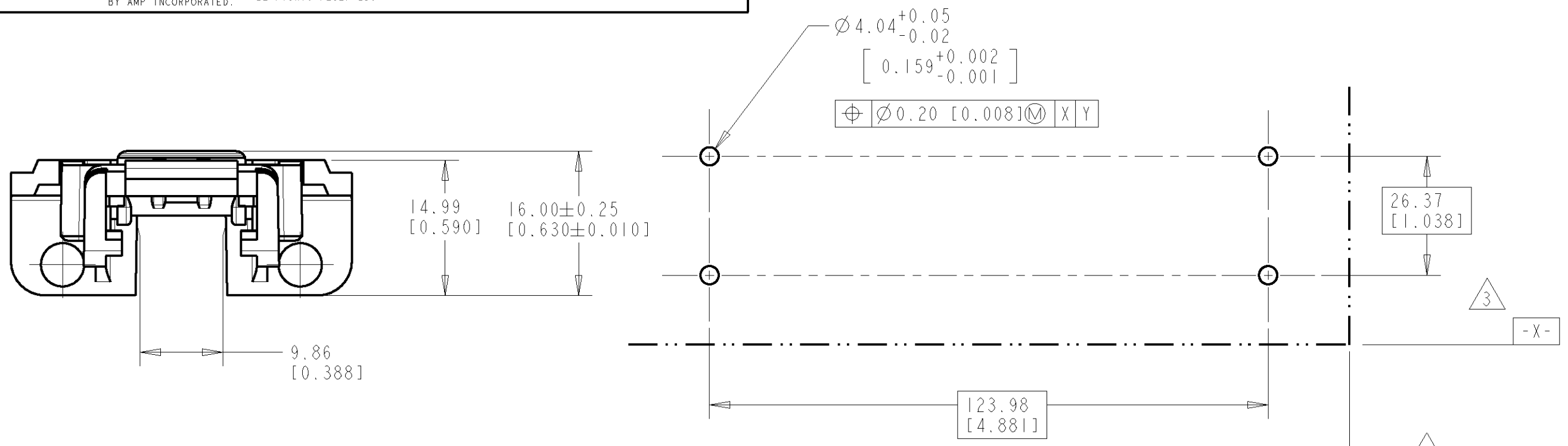


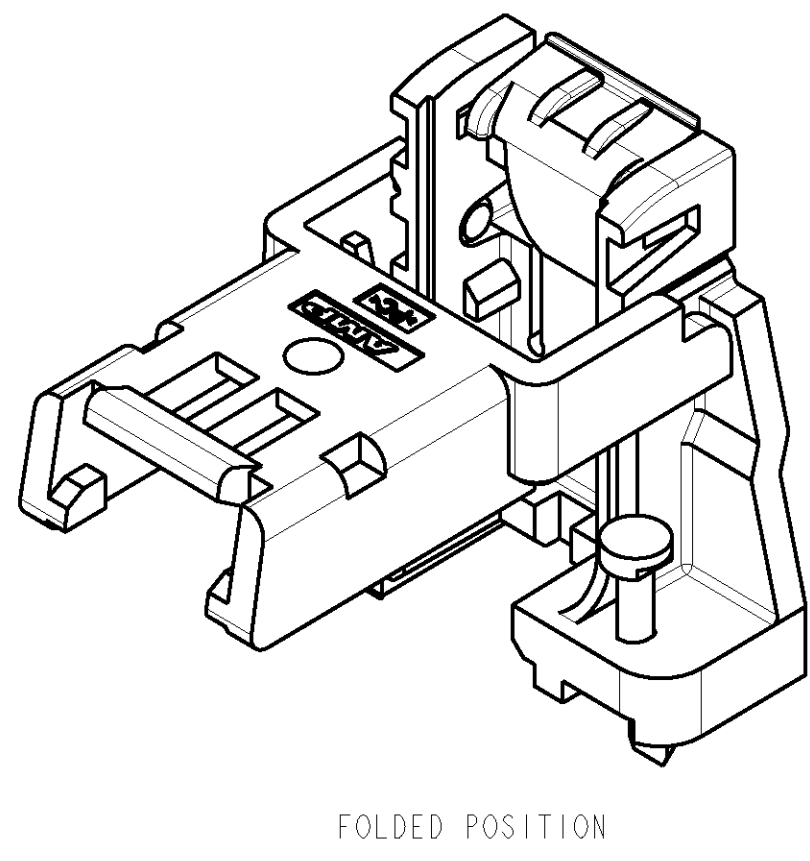
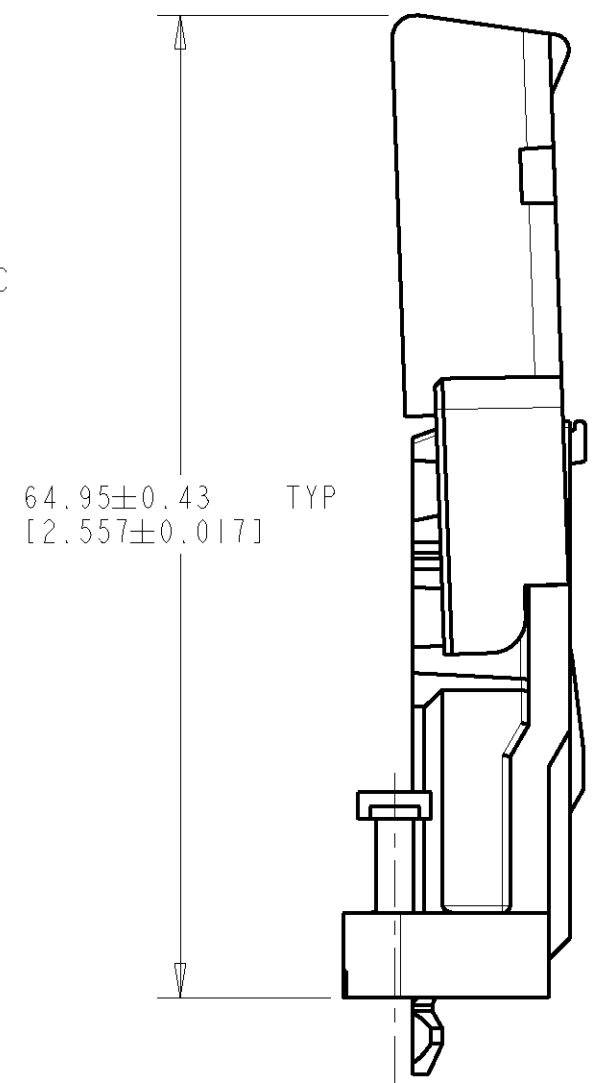
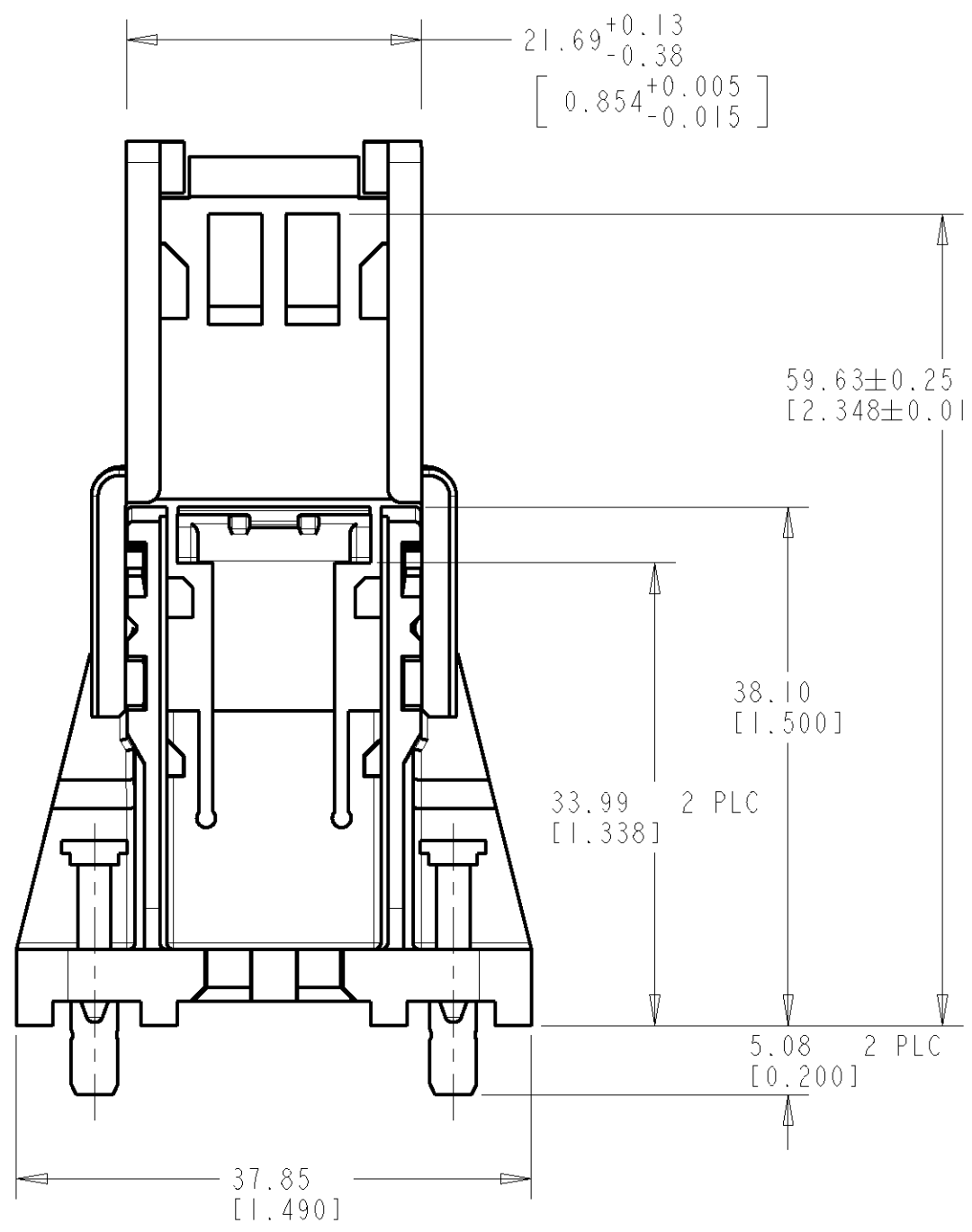
THIS DRAWING IS UNPUBLISHED. RELEASED FOR PUBLICATION .19  
 © COPYRIGHT 19 BY AMP INCORPORATED. ALL RIGHTS RESERVED.

LOC	DIST	REVISIONS					
		P	LTR	DESCRIPTION	DATE	DWN	APVD
AD	14	0		RELEASED	15SEP98	RB	EL
		A		REVISED PER 0651-0241-98	29OCT98	RB	EL

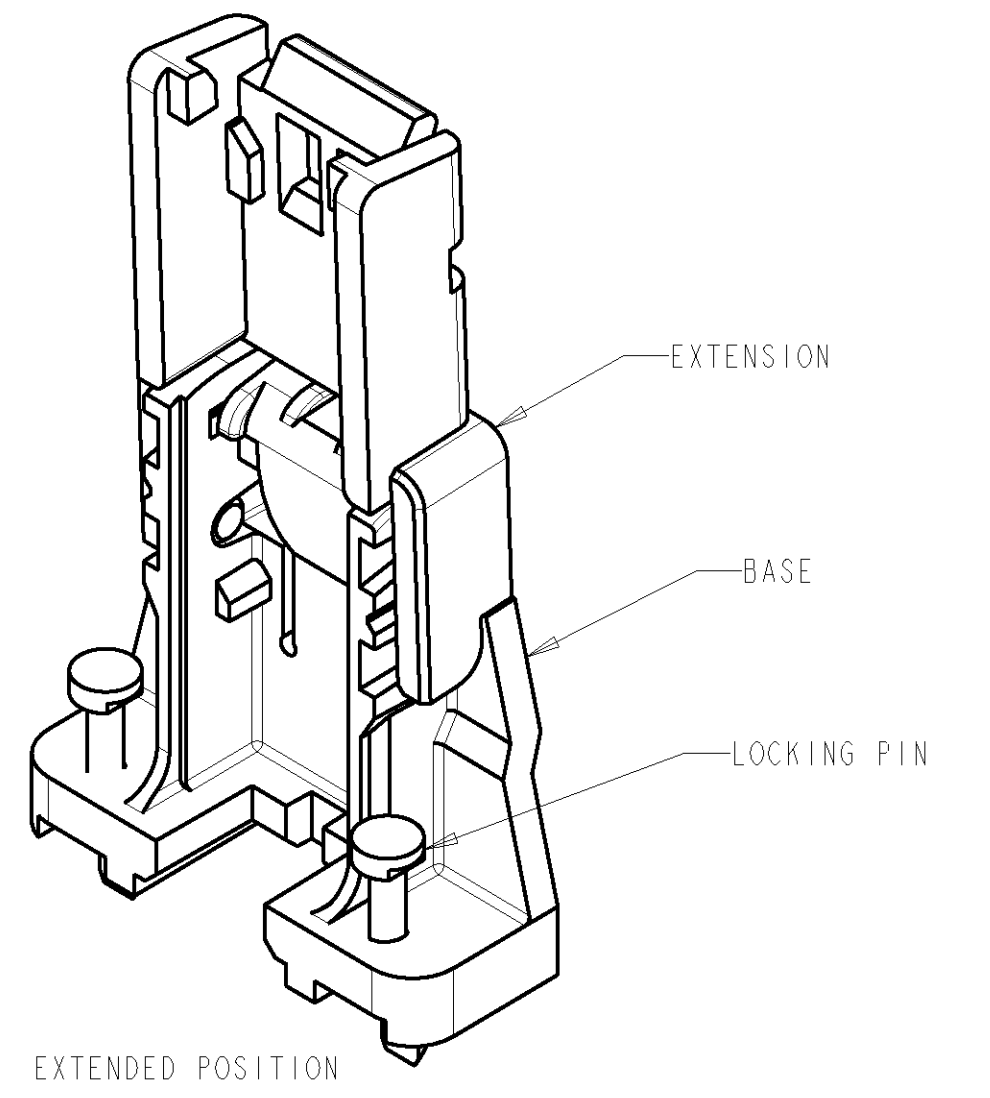


RECOMMENDED PC BOARD LAYOUT  $\Delta 2$   
 SCALE 1:1

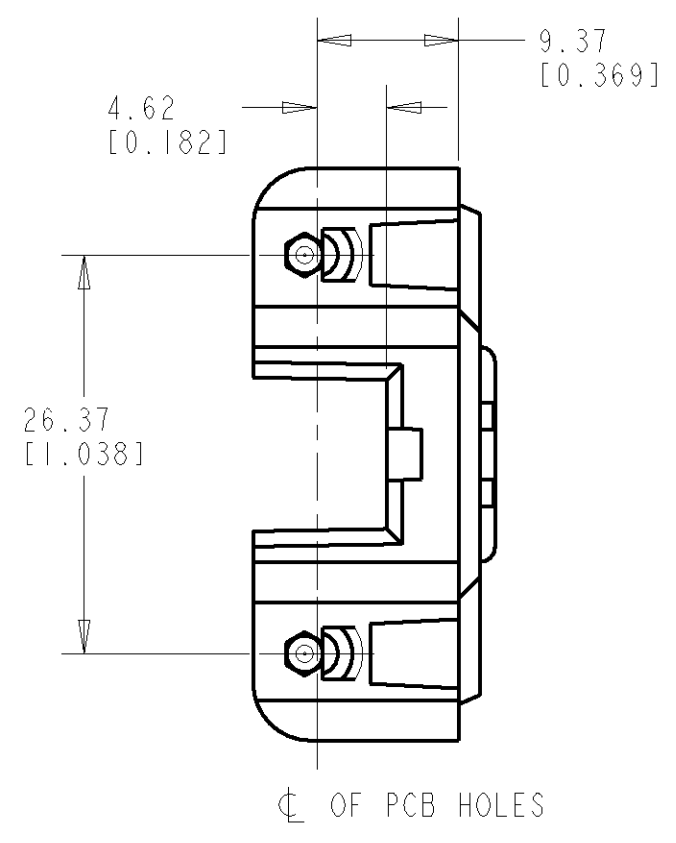
- $\Delta 1$  ALL MOLDED COMPONENTS- UL 94-V0 RATED POLYCARBONATE, BLACK.
- $\Delta 2$  RECOMMENDED PC BOARD THICKNESS OF 1.57±0.15 [0.062±0.006].
- $\Delta 3$  DATUM AND BASIC DIMENSIONS ESTABLISHED BY CUSTOMER.
- 4. BULK PACKAGED IN PARTITIONED BOXES IN THE EXTENDED POSITION.
- $\Delta 5$  EACH PROCESSOR INSTALLATION REQ'S TWO RETENTION MODULES.



FOLDED POSITION



EXTENDED POSITION



2 MODULES WITH LOCKING PINS	145417-2
1 MODULE WITH LOCKING PINS	145417-1
DESCRIPTION	$\Delta 5$ PART NUMBER

THIS DRAWING IS A CONTROLLED DOCUMENT FOR AMP INCORPORATED. IT IS SUBJECT TO CHANGE AND THE CONTROLLING ENGINEERING ORGANIZATION SHOULD BE CONTACTED FOR THE LATEST REVISION.		DWN R BROWN 15SEP98 CHK E LOTTER 15SEP98 APVD V RUMINSKI 15SEP98	<b>AMP</b> AMP Incorporated Harrisburg, PA 17105-3608
DIMENSIONS: mm [INCHES]	TOLERANCES UNLESS OTHERWISE SPECIFIED: 0 PLC ± 1 PLC ± 2 PLC ±0.13 [0.005] 3 PLC ± 4 PLC ± ANGLES ± FINISH -	PRODUCT SPEC 108-1826 APPLICATION SPEC - WEIGHT -	NAME UNIVERSAL RETENTION MODULE ASSEMBLY KIT, PIN FASTENER SHORT LATCH SIZE A2 CAGE CODE 00779 DRAWING NO. 145417 RESTRICTED TO - CUSTOMER DRAWING SCALE 2:1 SHEET 1 OF 1 REV A

145417